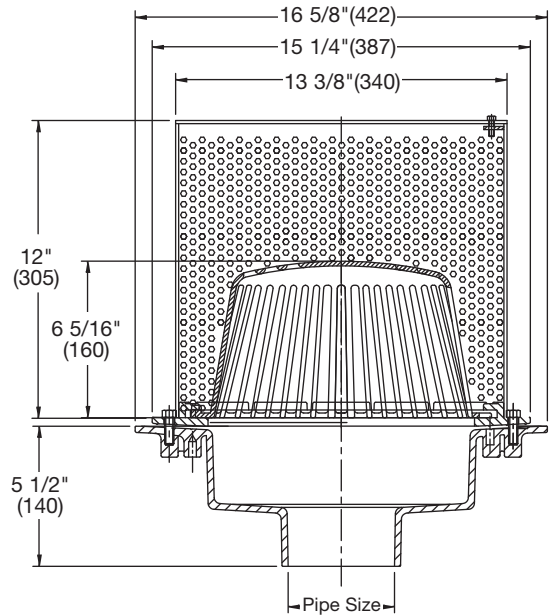


Green Roof Drains

GRD-610

Green Roof Large Planter Drain

Model Number	Outlet Size	WT., lbs.	List Price
GRD-612, 3, 4, 5, 6, 8, 10"	2,3,4,5,6,8,10"	32	\$2,527.00



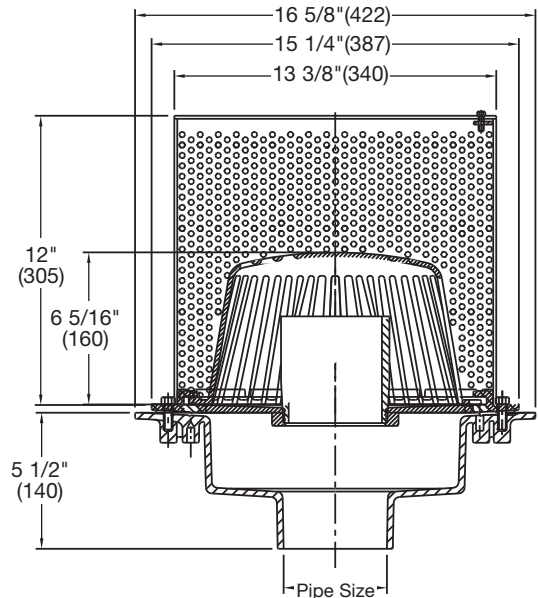
Options for GRD-610

Suffix	Description	List Price
-13	Galvanized Body & Clamp	\$956.50
-B	Sump Receiver	268.50
-D	Underdeck Clamp	240.50
-F	Deck Flange/Adj. Extension	659.50

GRD-610-W

Green Roof Large Planter Overflow Drain

Model Number	Outlet Size	WT., lbs.	List Price
GRD-612, 3, 4, 5, 6, 8, 10-W	2,3,4,5,6,8,10"	37	\$2,949.50



Options for GRD-610-W

Suffix	Description	List Price
-13	Galvanized Body & Clamp	\$956.50
-B	Sump Receiver	268.50
-D	Underdeck Clamp	240.50
-F	Deck Flange/Adj. Extension	659.50
-W2	2" Internal Standpipe	No Add

Supplied By:



877-903-7246

www.commercialplumbingsupply.com



Consult factory for all applications outside of listed parameters.
Prices do not include applicable taxes.